

WHERE THE SUN SHINES.
WORLDSUNLIGHT THERE



Solar DC Fuse

- WSPV-30 1000V
- WSPV-160 1000V
- WSPV-630 1000V
- WSPV-32 1000V
- WSPV-250 1000V
- WSPV-32 1500V
- WSPV-400 1000V



Application

A range of 10×38mm fuse links specifically designed for protecting photovoltaic strings. These fuse links are capable of interrupting low overcurrents associated with faulted photovoltaic string arrays (reverse current, multi-array fault).

Structural Characteristics

- According to IEC60269-6
- Rated current: 1-32A
- Rated voltage: DC 1000V
- Operating class gPV for Solar protection

Specifications

Pole	1P
Rated Voltage Ue (V DC)	1000
Rated Current In (A)	1,2,3,4,5,6,8,10,12,15,16,20,25,30,32

Connection and Installation

Connection(mm ²)	2.5-10
Working Temperature(°C)	-30~+70
Resistance And Damp Hot	Class 2
Altitude(m)	≤ 2000
Relative Humidity	≤ 95%
Protection Class/Degree	IP20
Pollution	3
Installation Environment	No obvious shock and vibration
Installation Class/Type	Class III/DIN rail

Size(mm)

Size/Dimension(mm)		
(WxHxL)	W	22
	H	66
	L	96
Fuse Size	10×38mm	
Fuse holder Weight (kg)	0.11	
Fuse link weight(kg)	0.08	

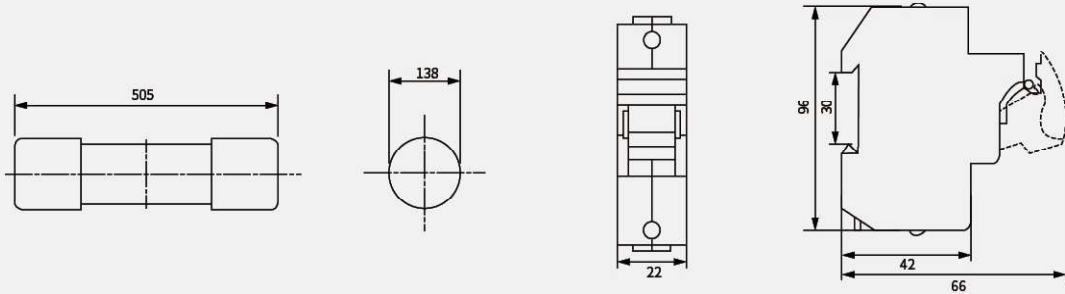
PV fuse Description

- Photovoltaic system fuse accord with UL248-1 standard.
- Photovoltaic battery dc fuse designed to used for photovoltaic (PV) system.
- Main effect is to protect the solar panels. Solar panels points in effective condition is broken.
- Fault light cells break points at the same time, does not affect other normal work of light from the stack.
- Technical Data Rated coltage: DC1000V Breaking capacity: 25KA Function level: PV.

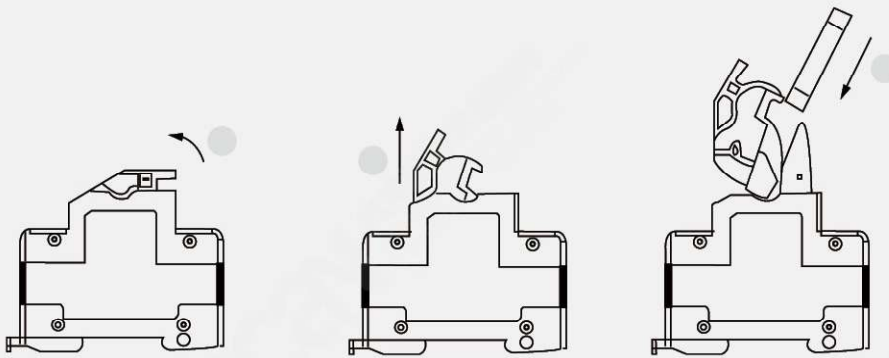
WSPV-30

SOLAR DC FUSE

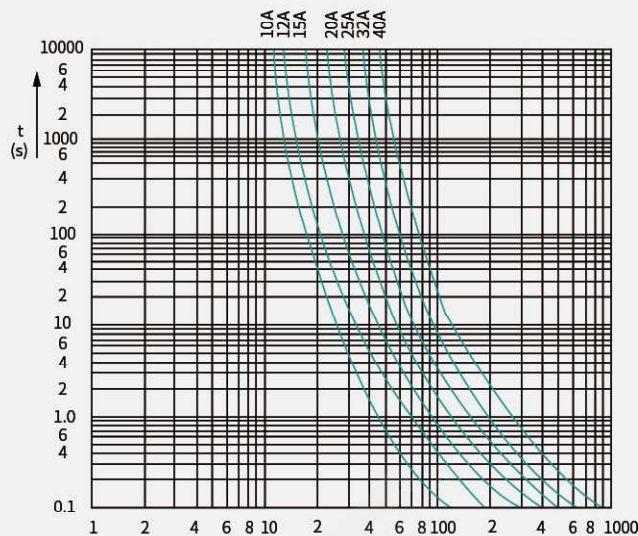
Dimensions



Installation



Characteristic Curve





Application

A range of 10x38mm fuse links specifically designed for protecting photovoltaic strings. These fuse links are capable of interrupting low overcurrents associated with faulted photovoltaic string arrays (reverse current, multi-array fault).

Structural Characteristics

- According to IEC60269-1
- Rated current: 1-32A
- Rated voltage: DC 1000V
- Rated breaking capacity:DC 20KA
- Operating class gPV for Solar protection

Specifications

Pole	1P
Rated Voltage U_e (V DC)	1000
Rated Current I_n (A)	1,2,3,4,5,6,8,10,12,15,16,20,25,30,32
Biggest Block Ability(KA)	20
The Most High Power Consumption(W)	2.5

Connection and Installation

Connection(mm ²)	2.5-10
Working Temperature(°C)	-30~+70
Resistance And Damp Hot	Class 2
Altitude(m)	≤ 2000
Relative Humidity	≤ 95%
Protection Class/Degree	IP20
Pollution	3
Installation Environment	No obvious shock and vibration
Installation Class/Type	Class III/DIN rail

Size(mm)

Size/Dimension(mm)		
(WxHxL)	W	18
	H	60
	L	78
Fuse Size		10×38
Fuse holder Weight (kg)		0.011
Fuse link weight(kg)		0.07

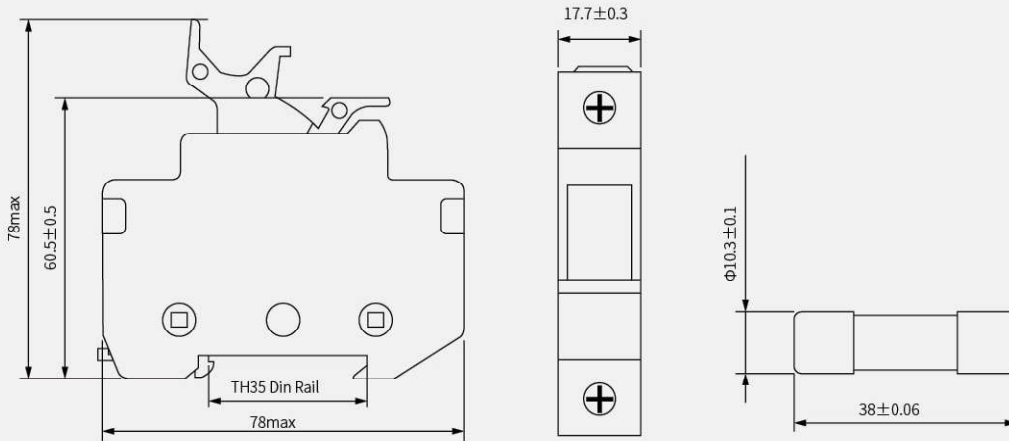
PV fuse Description

- Photovoltaic system fuse accord with UL248-1 standard.
- Photovoltaic battery dc fuse designed to used for photovoltaic (PV) system.
- Main effect is to protect the solar panels. Solar panels points in effective condition is broken.
- Fault light cells break points at the same time, does not affect other normal work of light from the stack.
- Technical Data Rated coltage: DC1000V Breaking capacity: 25KA Function level: PV.

WSPV-32

SOLAR DC FUSE

Dimensions



Characteristic Curve

