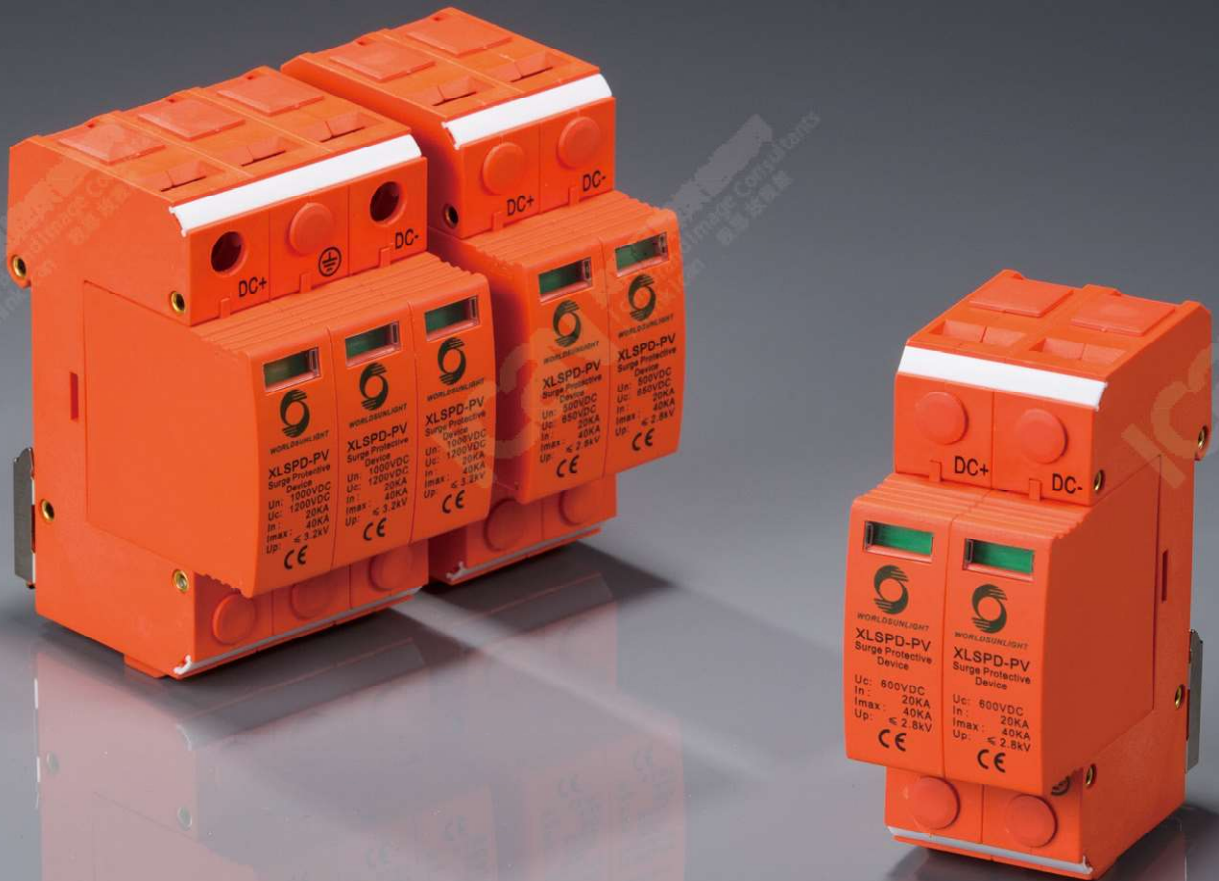


DC Series

Solar DC Surge Protective Device

○ XLSPD-PV



www.worldsunlight.com

WHERE THE SUN SHINES.
WORLDSUNLIGHT THERE

XLSPD-PV

SOLAR DC SURGE PROTECTIVE DEVICE (DC SPD)

Application

Surge protective device, protect against lightning surge voltages in solar system (photovoltaic power supply system). These units must be installed in parallel on the dc networks to be protected and provide common and different models protection. Its installed location are recommended at both ends of the dc power supply line (solar panel side and inverter/converter side), especially if the line routing is external and long. High energy MOVs equipped with specific thermal disconnectors and related failure indicators.



Specifications

XLSPD-PV Series Surge Protector	XLSPD-PV							
PVDC - specific	EN50539-11							
Pole	2P	2P	2P	2P	3P	3P	3P(CUSTOMIZED)	
Electrical parameter								
Classified test	II	II	II	II	II	II	II	
Uoc max (VDC)	500	600	800	1000	1000	1000	1500	1500
1	500	600	800	1000	1000	1000	1500	1500
In (8 /20) us (kA)	20	20	20	20	20	20	20	20
Ima x (8 /20) us (kA)	40	40	40	40	40	40	40	40
Up (kV)	2.8	2.8	2.8	3.2	3.2	3.2	5.0	5.0

Remote Signal Contact

Remote signal contact	Maximum working voltage (V)	250VAC/30VDC	250VAC /30VDC
-	Maximum working current (A) IA (250 V /AC)IA (250V/AC)	IA (250V/AC)	IA (250V /AC)
	IA (30 V DC)	IA (30V/AC)	IA (30V /AC)

Installation and Dimensions

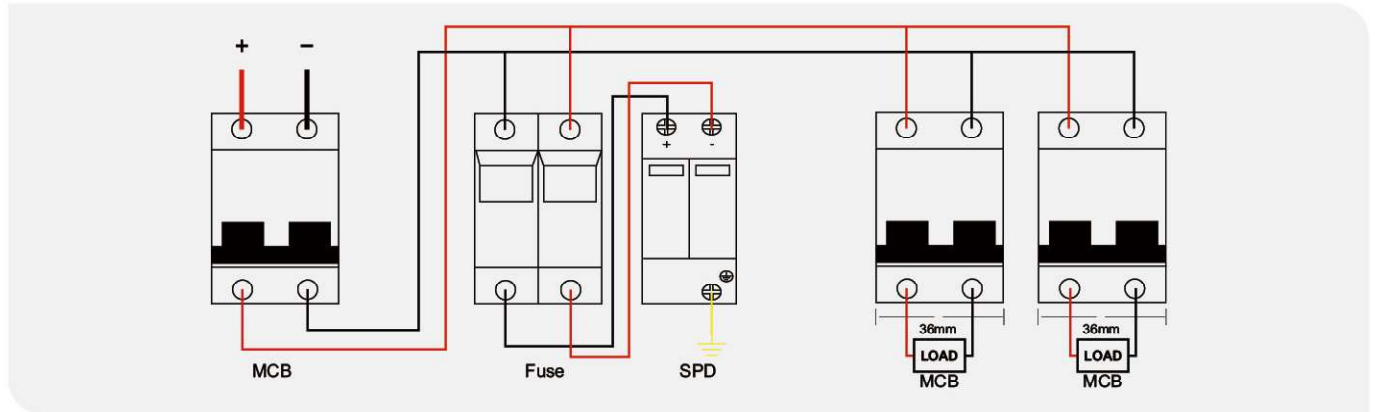
Wiring capacity(mm2)	Hard wire	4~25	4~25
	Flexible wire	4~16	4~16
Stripping length(mm)	10		10
Terminals crcwa	M5		M5
Torque (Nm)	Main circuit	3.5	3.5
	Remote signal contact	0.25	0.25
Protection class	All profile	IP40	IP40
	Connection port	IP20	IP20
Installation environment	No obvious shock and vibration		
Altitude (m)	≤2000		≤2000
Working Temperature	-30°C ~ +70°C		-30°C ~ +70°C
Relative humidity	30%~90 %		30%~90 %
How to install	Installed with H 35-7.5/DIN35 steel mounting rail		
Size (mm) (W x H x L)	W	36	54
	H	90	90
	L	67.6	67.6
Weight (kg)	0.24		0.36

XLSPD-PV

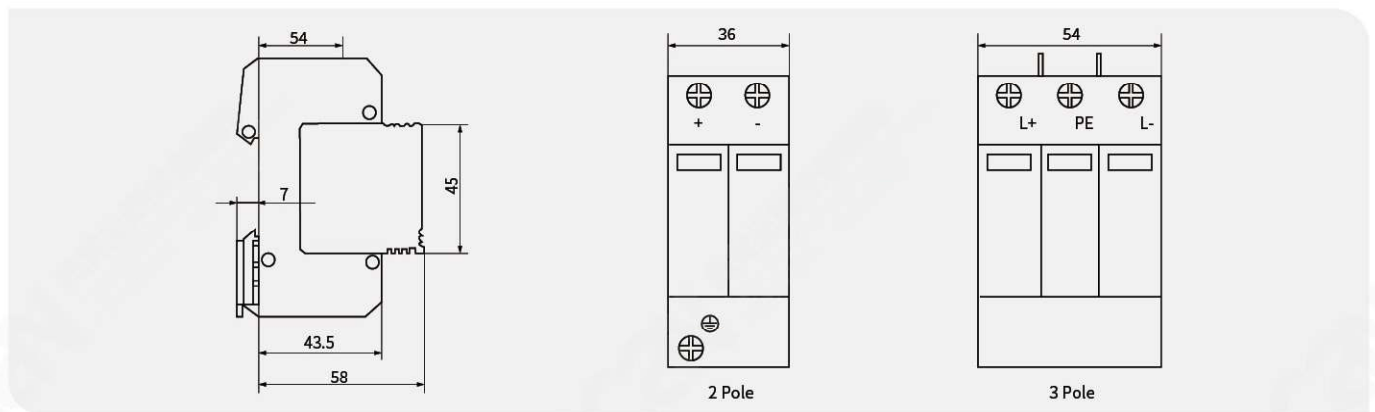
SOLAR DC SURGE PROTECTIVE DEVICE (DC SPD)



Wiring Diagram



Dimensions



Drawing

